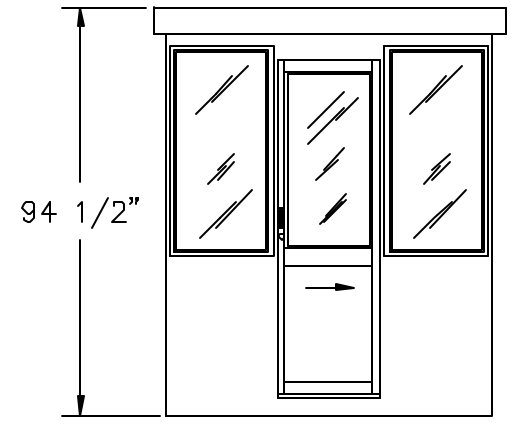
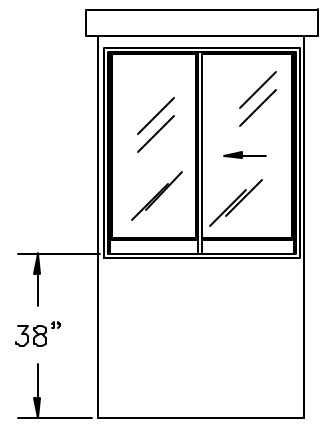


PLAN VIEW  
(N.T.S)



ELEVATION A



ELEVATION B

DOORS AVAILABLE BOTH SIDES—SUFFIX DSL  
CASHIER WINDOW AVAILABLE  
IN SLIDING DOOR—SUFFIX CSL

STANDARD ITEMS FOR A 64SL STEEL BUILDING

- ① — 100 AMP SINGLE PHASE 12 CIRCUIT MAIN LOAD CENTER
  - ② — 115V DUPLEX, 230V OUTLET
  - ③ — 40 WATT LIGHT FIXTURE
  - ④ — 22" DEEP SHELF
  - ⑤ — 3" OVERHANG EXTERIOR ROOF (OPTIONAL)
- (REFER TO DURASTEEL SPECIFICATIONS FOR TYPICAL CONSTRUCTION)

*PORTA-KING* BUILDING SYSTEMS

4133 SHORELINE DRIVE EARTH CITY, MISSOURI 63045  
1-800-456-5464 FAX 314-291-2857 www.portaking.com

TITLE

DURASTEEL MODEL 64SL